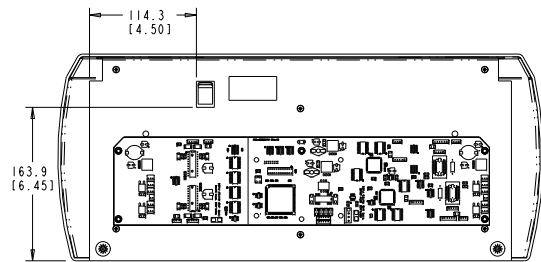
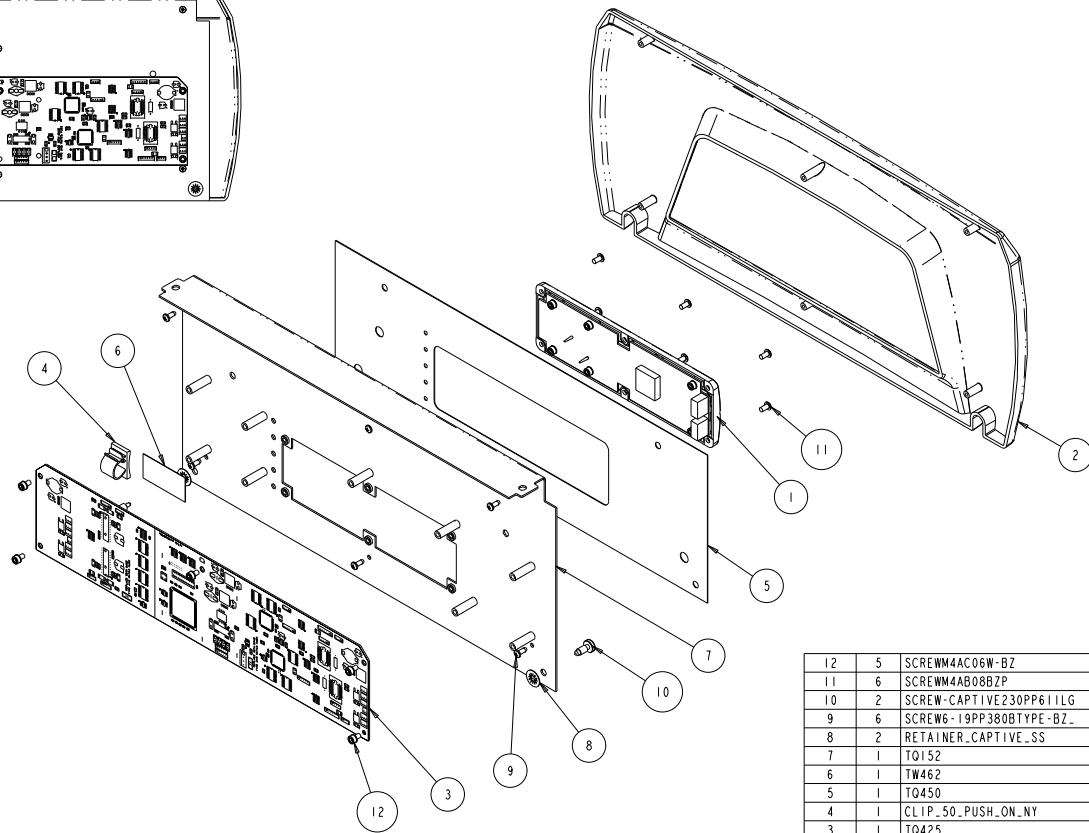


TQA067_SVC



**FOR SERVICE
REFERENCE ONLY**



2 BLACK BEZEL: 99350079
WHITE BEZEL: 80070424

12	5	SCREWM4AC06W-BZ	91000406	SCREW,M4 SOCKET CAP 06 BZ SEMS
11	6	SCREWM4AB08BZP	91010408	SCREW,M4 BUTTON 08 BZ W/PATCH
10	2	SCREW-CAPTIVE230PP611LG	90712007	SCREW,CAPTIVE PHIL .23 OD X .611 LG CR
9	6	SCREW6-19PP380BTYP-BZ	90709117	SCREW,6-19 PHIL PAN PLASTITE 3/8 BZ
8	2	RETAINER_CAPTIVE_SS	90701362	RETAINER,CAPTIVE,SS,MED
7	1	TQ152	99050066	PANEL,FRONT,ELECTRONIC ENCLOSURE SHB/SG
6	1	TW462	99310453	LABEL,SERVICE HARNESS,SHOWGUN 1"x2"
5	1	TQ450	99310507	LABEL,FRONT HOUSING,SHOWBEAM
4	1	CLIP_50_PUSH_ON_NY	90701271	CLIP, WIRE .50 DIA, PUSH MOUNT
3	1	TQ425	80010221EF	BOARD,CPU PAN TILT & 2 PH MODULE ASSY
2	1	DB200	CHARTED	BEZEL, TOP BOX, DL2
1	1	TQA095EF	80010226EF	ASSY,VFD DISPLAY CLEAR WINDOW V3.6
ITEM NO.	QTY.	FILENAME	PART NO.	DESCRIPTION

BILL OF MATERIALS

UNLESS OTHERWISE SPECIFIED: DIMENSIONAL TOLERANCES: 0 PLACE DECIMAL = ±0.38 1 PLACE DECIMAL = ±0.25 2 PLACE DECIMALS = ±0.13 ANGLES = ±0.5°	RELEASE DATE: ENG: ME: MEG:	CE: OA: DRW:	High End 2105 GRACY FARMS LANE AUSTIN, TEXAS 78758 (512) 836-2242 FAX (512) 832-4128 http://www.highend.com	LR LIGHTWAVE RESEARCH
FOR PAINTED PARTS REFER TO ENG. SPEC. MANUAL WI-0592 ALL COMPONENTS, MATERIALS AND FINISHES TO BE RoHS COMPLIANT	MATERIAL: CHARTED	FINISH: NA		
MIN. DRAFT	INTERPRET DIMENSIONS PER ASME Y14.5M-1994 THIRD ANGLE PROJECTION DIMENSIONS ARE IN MILLIMETERS	SI METRIC A1	PART NO. INTERNAL TQA067_SVC	REV.
MIN. RADI1			DO NOT SCALE	SHEET: 1 OF 1
FLATNESS			SCALE: 0.500	
THICKNESS				
VOLUME				

PROPRIETARY NOTICE:
THIS DOCUMENT CONTAINS CONFIDENTIAL AND PROPRIETARY INFORMATION OF HIGH END SYSTEMS INC., (ALSO DBA LIGHTWAVE RESEARCH) AND IS GIVEN TO THE RECEIVER IN CONFIDENCE. THE RECEIVER ACCEPTS AND AGREES THAT, EXCEPT AS AUTHORIZED BY HIGH END SYSTEMS, THE RECEIVER WILL NOT PERMIT THE USE OF THE DOCUMENT OR ANY COPY THEREOF OR THE INFORMATION THEREIN, WILL NOT COPY OR PERMIT COPYING THE DOCUMENT OR THE INFORMATION THEREIN, AND WILL UPON COMPLETION OF THE NEED TO RETAIN THE DOCUMENT, OR UPON DEMAND, RETURN THE DOCUMENT WITHOUT RETAINING ANY OF THE INFORMATION CONTAINED THEREIN IN ANY FORM WHATSOEVER.